

# SHARP

Be Original.

## MX-C407P

Digital Full Colour Printer

## A Size-Conscious Printer Packed with All the Essentials



### Space-Saving Design

With its small footprint\* of 424 × 421 mm, this printer will easily find a niche in your SOHO or larger office. Simply place it on a desk, under a counter, or anywhere that space is limited.

\* "Footprint" refers to the part directly adjacent to the floor or desk space. The numerical value is for the printer's base unit only.

### Continuous Printing

Don't worry if the colour toner runs low during a print job. You can simply switch to B/W printing and finish the job seamlessly.

### Office Direct Printing\*

Print common Microsoft® Office files without using a PC. With this printer, you can print a Word, Excel®, or PowerPoint® file directly from a mobile device, USB drive, or file server.

\*The actual printout may look different from what is displayed on the computer screen.

### Front USB Port

At the front of the printer is a USB port, which comes in handy when printing directly from a USB drive—an indispensable function for users who want quick machine access without a PC.

## LCD Control Panel

Operating the printer is easy with the 4.3-inch colour LCD touchscreen. And with the Preview option, you can check the finish of a print job in advance.



## Versatile Paper Handling

With the main paper trays and manual feeder, the printer can handle a wide variety of paper—including cardstock, envelopes, and small media like A6-size paper.

## Device Management

Sharp Remote Device Manager\* (SRDM) gives administrators centralised control of their networked MFDs and printers. This software covers system setup, security settings, troubleshooting, and more.

\* Contact a Sharp customer representative for availability and other details.

## SPECIFICATIONS

General	
Type	Desktop
Engine speed	A4*1: Max. 38 ppm
Control panel display	4.3-inch colour LCD touchscreen
Paper size	Max. A4, min. A6
Paper capacity (75 g/m <sup>2</sup> )	Standard: 251 sheets (250-sheet tray and 1-sheet manual feeder) Maximum: 1,451 sheets (251 sheets & optional 100 + 550-sheet tray and 550-sheet tray)
Paper weight	Tray 1: 60 g/m <sup>2</sup> to 216 g/m <sup>2</sup> Trays 2 & 3: 60 g/m <sup>2</sup> to 163 g/m <sup>2</sup> Manual feeder: 60 g/m <sup>2</sup> to 216 g/m <sup>2</sup>
First print time*2	7.0 sec.
Memory	Standard: 1 GB Option: 500 GB HDD*3
Dimensions (W x D x H)	442 x 421 x 308 mm
Weight (approx.)	21 kg

## Wireless LAN Connections\*

An optional wireless LAN is available that conforms to the IEEE 802.11 a/ac/b/g/n standards. This lets you connect to the printer via network infrastructure or via Wi-Fi Direct® for mobile devices. Wi-Fi Direct allows peer-to-peer connection with compatible PCs and mobile devices. This comes in handy when you need quick access to a printer—for example, one at a client's office. Because this wireless LAN is independent from an in-house network, you don't need to worry about security. What's more, it supports dual-band connectivity for both 2.4 GHz and 5 GHz wireless networks.

\* Requires optional 27X6410 [Wireless Print Server].

## AirPrint Compatible

The printer supports the AirPrint printing feature in Apple's iOS and macOS operating systems. AirPrint automatically detects MFDs and printers on the same network. It then lets you print directly from a mobile device without the need for a print driver.

## Printer Driver with Easy Setup

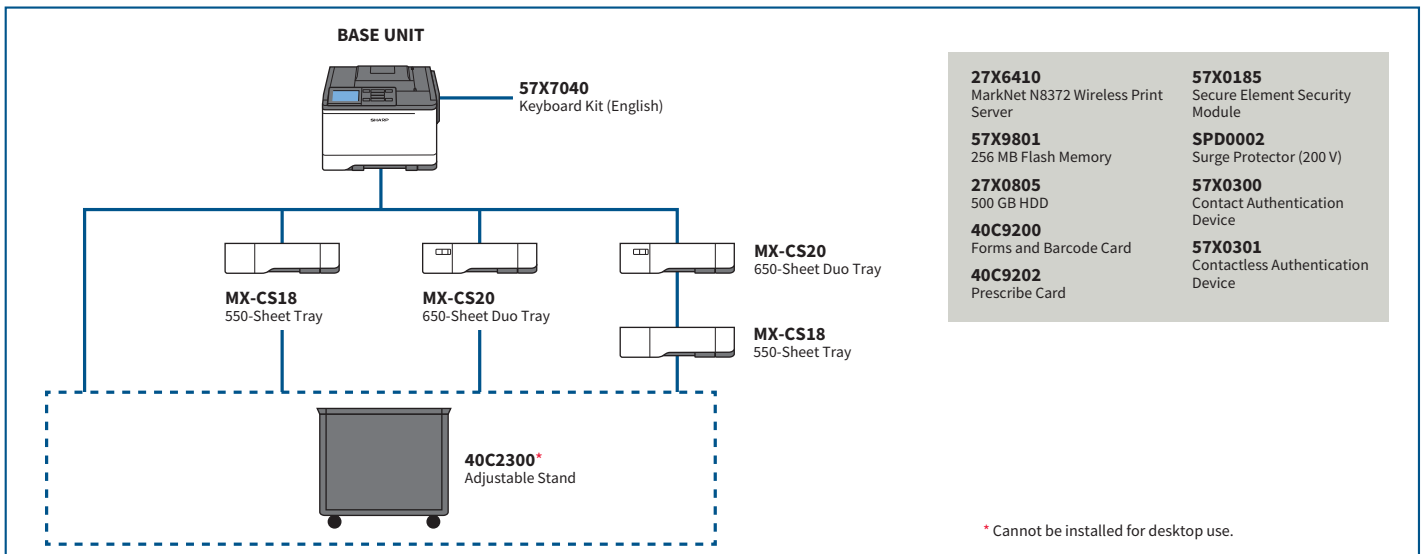
The printer driver setup window features a simple design that includes larger buttons and drop-down menus, making it easier than ever to use printer functions.

Printer	
Resolution	1,200 x 1,200 dpi, 2,400 (equivalent) x 600 dpi
Interface	USB 2.0 (host, high-speed), 10Base-T/100Base-TX/1000Base-T, wireless LAN (IEEE 802.11 a/ac/b/g/n)*4
Supported OS	Windows Server® 2008, Windows Server® 2008 R2, Windows Server® 2012 R2, Windows Server® 2016, Windows Server® 2019, Windows® 7, Windows® 8.1, Windows® 10 Mac OS 10.10, 10.11, 10.12, 10.13, 10.14, 10.15
Network protocols	TCP/IP
Printing protocols	LPD, Raw TCP (port 9100), enhanced IP (port 9400), FTP, TFTP, IPP
PDL	PCL 5c/PCL 6 emulation, PostScript® 3™ emulation
Available fonts	89 fonts for PCL, 158 fonts for PostScript 3 emulation

\*1: Short-edge feeding. \*2: Short-edge feeding from 1st paper tray, printer in fully ready condition. May vary depending on operating conditions and environment. \*3: HDD capacity depends on procurement and sourcing status. \*4: Optional.

• Design and specifications are subject to change without prior notice.  
• Microsoft, Excel, PowerPoint, Windows Server, and Windows are either registered trademarks or trademarks of Microsoft Corporation in the US and/or other countries. Wi-Fi Direct® is a registered trademark of Wi-Fi Alliance®. AirPrint, Apple, macOS, and Mac are trademarks of Apple Inc., registered in the US and other countries. PCL is a registered trademark of Hewlett-Packard Company. PostScript 3 is either a registered trademark or trademark of Adobe in the US and/or other countries. All other brand names and product names may be trademarks or registered trademarks of their respective owners.

## SYSTEM CONFIGURATION



Certain optional equipment may not be available in some areas.

Distributed by:



**Brisbane Business Equipment**

Unit 1, 747 Fairfield Road,  
Yerrongpilly 4105

Ph (07) 32559500

email: sales@bbe.net.au